

## Quick Start User Guide

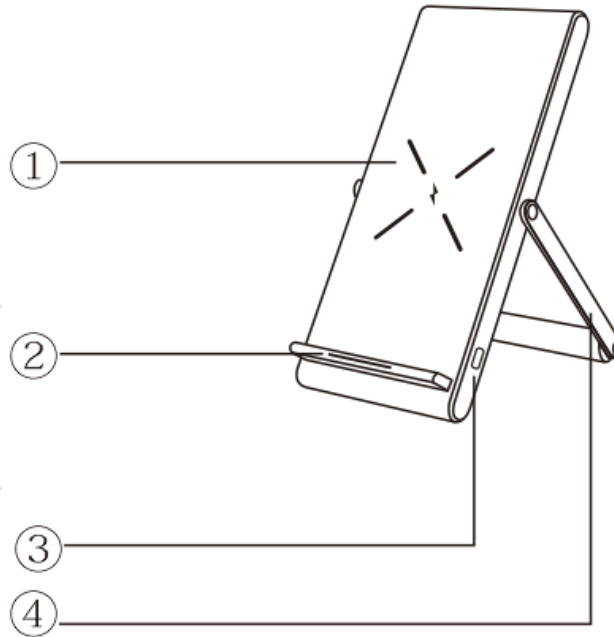
**Model:** X316

**Product Name:** Desk wireless charger

**Product Description:** Foldable Fast 10W Wireless Charging stand.

### Package Contents:

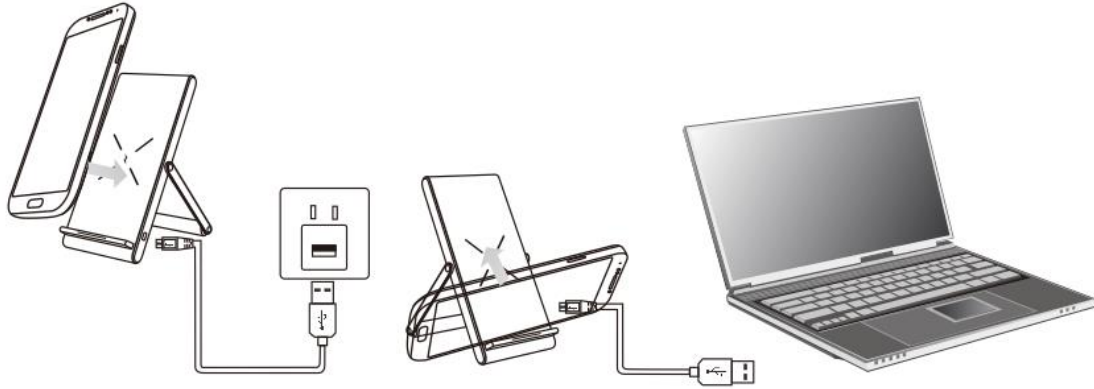
1. Wireless Charger x 1 unit
2. Micro USB Cable x 1 piece
3. Instruction manual x 1



- ① Wireless charging zone
- ② Status indicator
- ③ Micro-USB input port
- ④ Foldable stand

**Note:** Adjust the foldable stand to get any angle view you want.

1. Plug the Micro USB cable into a) an AC adapter (not included) or b) a charging USB port. Connect the other end of the Micro USB cable to the wireless charger.
2. Place your Qi - enabled device on the wireless charging zone. Lay horizontal or vertical, both will be OK.



3. When the indicator light turns blue, your device is charging wirelessly.

Status Indicator:

Red -the Power is connected  
Blue -the device is under charging

**Note:** The status can be customized in OEM order.