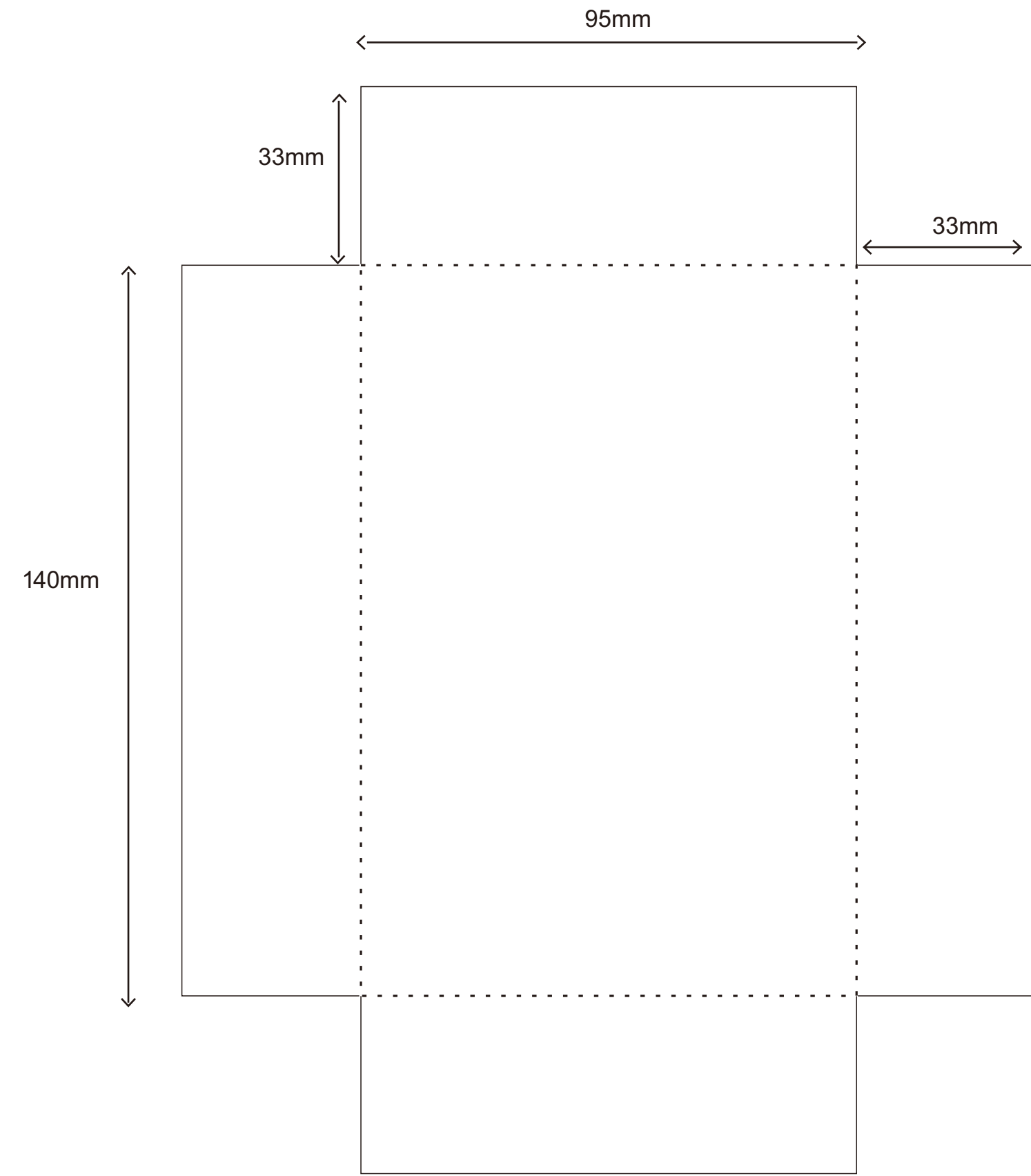
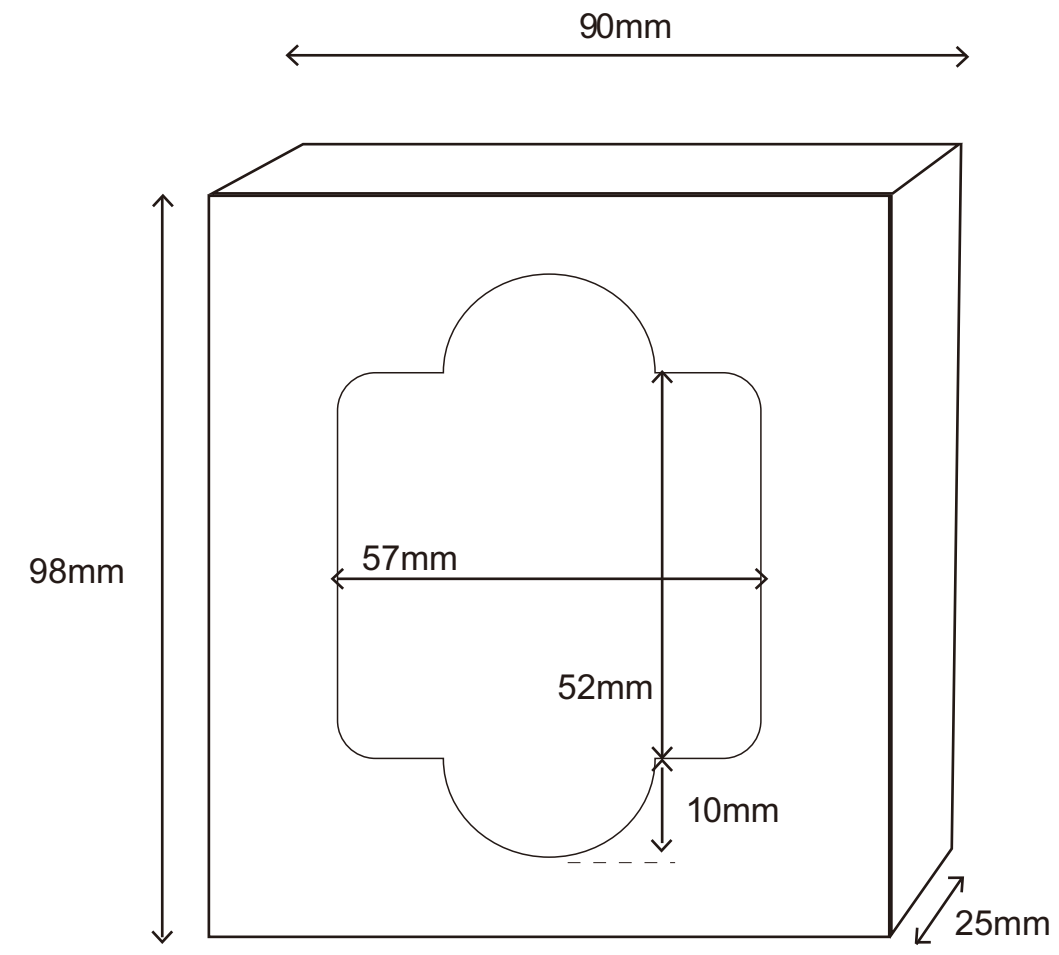


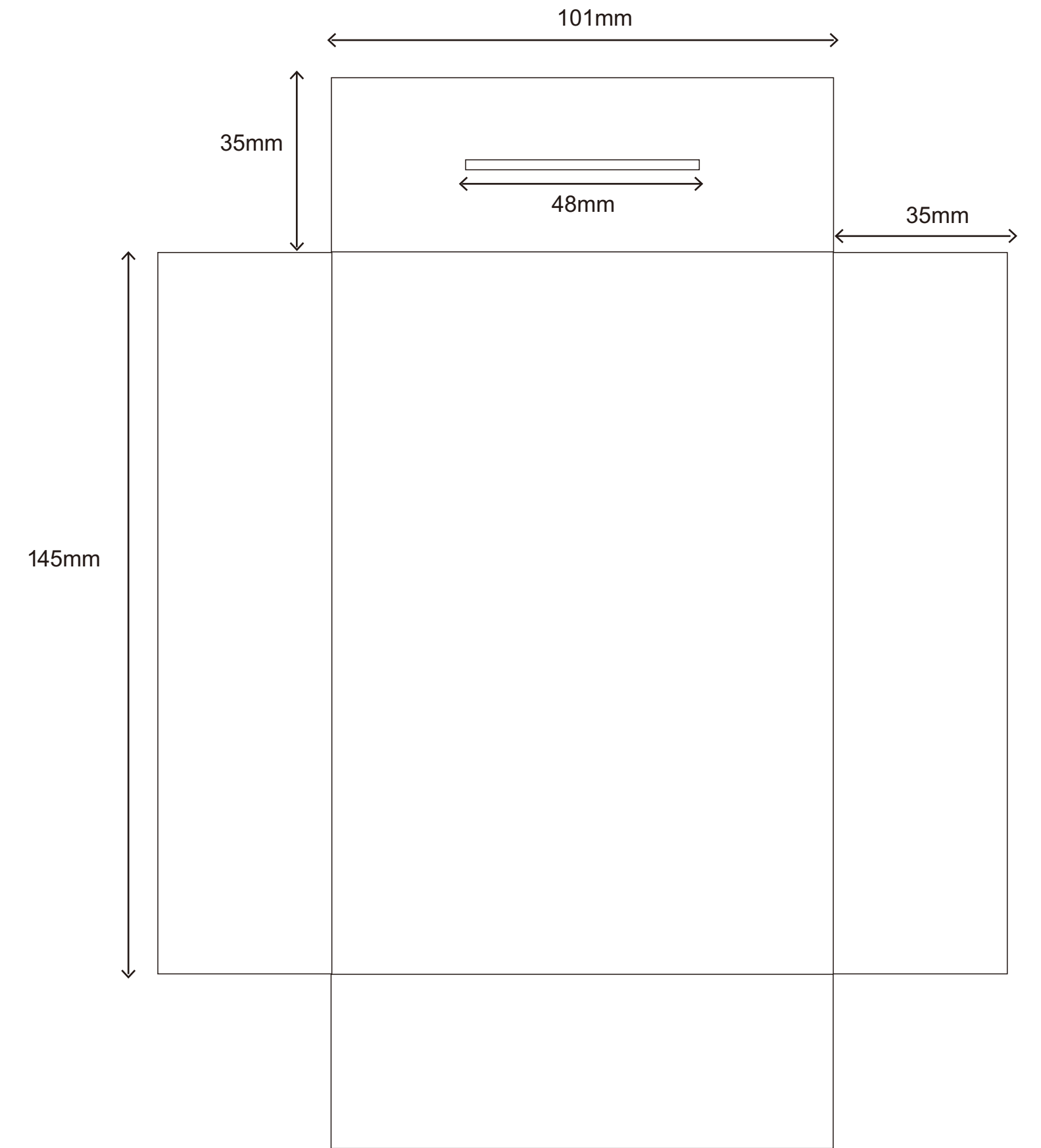
X363 1 - INNER BOX



X363 3 - EVA FOAM



X363 2 - UPPER COVER



X363 4 - ACCESSORIES BOX

